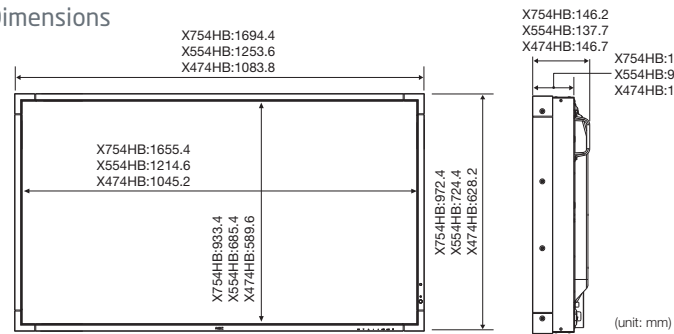


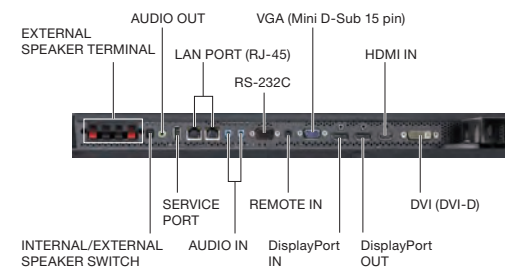
Specifications

MODEL	X754HB	X554HB	X474HB
LCD MODULE			
Viewable size (diagonal)	74.5"/ 1,893 mm	54.6"/ 1,388 mm	47"/ 1,193 mm
Active screen area (W x H)	1,650.2 x 928.3 mm	1,209.6 x 680.4 mm	1039.7 x 584.8 mm
Panel technology	S-PVA		IPS
Native resolution	1,920 x 1,080		
Brightness (factory setting / maximum)	1,750 / 2,500 cd/m ²	2,000 / 2,700 cd/m ²	1,400 / 2,000 cd/m ²
Contrast ratio (typical)	5,000:1 (Native contrast)		1,300:1 (Native contrast)
Viewing angle [°]	178 horizontal / 178 vertical (at CR>10)		
Response time (typical)	6 ms (G to G)		10 ms (G to G)
Backlight	Direct LED backlight		
CONNECTIVITY			
Input terminals	DisplayPort	DisplayPort x 1	
	HDMI	HDMI x 1	
	DVI	DVI-D x 1	
	VGA	Mini D-sub 15pin x 1	
	Audio	Digital: HDMI x 1, DisplayPort x 1, Analog: 3.5 mm Stereo mini jack x 2	
Output terminals	DisplayPort	DisplayPort x 1	
	Audio	3.5 mm Stereo Mini Jack x 1	
External control	RS232C	D-Sub 9 pin x 1	
	Ethernet	RJ-45 10 / 100BASE-T x 2 (In/out)	
	Remote in	3.5 mm Stereo Mini Jack x 1	
	Remote out	Possible via Ethernet	
	DDC/CI	Mini D-sub 15 pin / DVI-D	
Service port	USB Type A x 1		
Option slots	Expansion slots Open pluggable specification (NEC / Intel OPS standard) x 1, Interface extension x 1		
Speaker output	External speakers 15 W + 15 W (8 Ω)		Internal speakers 10 W + 10 W
POWER			
Power requirement	9.7 A @ 100-120 V, 3.4 A @ 220-240 V	6.3 A @ 100-120 V, 2.4 A @ 220-240 V	4.2 A @ 100-120 V, 1.7 A @ 220-240 V
Power consumption (typical)	540 W	310 W	190 W
Power consumption (standby mode)	< 0.5 W		
PHYSICAL SPECIFICATIONS			
Bezel width (L/R, T/B)	19.5 mm	19.5 mm	19.3 mm
Dimensions (without stands: W x H x D)	1,694.4 x 972.4 x 146.2 mm	1,253.6 x 724.4 x 137.7 mm	1083.8 x 628.2 x 151.5 mm
Dimensions (with stands and handles: W x H x D)	1,694.4 x 1,009.6 x 606.0 mm	1,253.6 x 760.7 x 400.0 mm	1083.8 x 628.2 x 146.7 mm
Packaging dimensions (W x H x D)	1,844 x 1,310 x 376 mm	1,470 x 965 x 430 mm	1260 x 804 x 320 mm
Net weight (without stands)	57.9 kg	32.6 kg	26.5 kg
Gross weight (with box)	74.9 kg	42.2 kg	33.5 kg
VESA compatible mounting interface	400 x 400 mm (M8, 4 holes)		300 x 300 mm (M6, 4 holes)
Supported orientation	Landscape, Portrait		
ENVIRONMENTAL CONDITIONS			
Operating temperature	0°C to 40°C		
Operating humidity	20% to 80% (without condensation)		
ADDITIONAL FEATURES			
Operating hours	24 / 7		
Sensors	Ambient light sensor	Integrated, triggered actions programmable	
	Motion sensor	Optional, external, 4-5 m range, triggered actions programmable	
	Temperature sensor	Integrated, 3 sensors, triggered actions programmable	
	NFC sensor	Integrated, 2-cm range, free NEC Android App required	
ACCESSORIES			
Included	Power cord, DVI-D cable, IR remote control, Batteries, Setup manual, Clamp, Screw with washer, CD-ROM	Power cord, DVI-D cable, IR remote control, Batteries, Setup manual, Clamp x 3, Screw with washer x 3, Thumbscrew for optional stand x 2, CD-ROM	

Dimensions



Terminals



Options

	Slot Board					Interface Extension Board			Stand	Sensor Kit		Speaker
	OPS-Single Board Controller (Computer)	SDI		HDBaseT		Analog video	Analog video (5 x BNC)	Digital video		Human (Motion), Ambient light IR Remote	Ambient light IR Remote	
	Core i5 60GB-SSD	Core i5 320GB-HDD	3G-SDI	HD-SDI	HDBaseT	Analog video	Analog video (5 x BNC)	Digital video				
X754HB									ST-801			
X554HB	N8000-8866	N8000-8865	SB-04HC	SB-01HC	SB-07BC	SB3-AB1	SB3-AB2	SB3-DB1	ST-5220	KT-RC2	KT-RC	SP-RM1
X474HB									ST-4620			SP-TF1

Local options: please contact your supplier.

MultiSync, Naviset, TileMatrix and Frame Comp are trademarks or registered trademarks of NEC Display Solutions, Ltd. in Japan, the United States and other countries. The terms HDMI and HDMI High-Definition Multimedia Interface, and the HDMI Logo are trademarks or registered trademarks of HDMI Licensing LLC in the United States and other countries. DisplayPort and DisplayPort Compliance Logo are trademarks owned by the Video Electronics Standards Association in the United States and other countries. HDBaseT™ and the HDBaseT Alliance logo are trademarks of the HDBaseT Alliance. CRESTRON and CRESTRON ROOMVIEW are trademarks or registered trademarks of Crestron Electronics, Inc. AMX is a trademark or registered trademark of AMX in the United States and other countries. Trademark P.J.Link is a trademark applied for trademark rights in Japan, the United States and other countries and areas. VESA is a trademark of a nonprofit organization, Video Electronics Standard Association. Android is a trademark of Google Inc. All other trademarks are the property of their respective owners. The images in this brochure are samples. All specifications are subject to change without notice. March 2016

<http://www.nec-display.com/ap/>

High-brightness with the most advanced technologies delivers what is needed at your sites

MultiSync® X754HB / X554HB / X474HB



Designed to be installed in shop windows or in cabinets for outdoor applications, offering high levels of brightness

The state-of-the-art connectivity and sensors allow additional creativity in the content displayed and how it is controlled. The unique built-in NFC sensor, in combination with NEC's new Android app, reduces installation and maintenance times, which is especially useful on larger installations. The Human Sensor is aware of viewer presence based on proximity and can change brightness, volume, and inputs or power the display up or down, resulting in added engagement and considerable energy savings over time.

Highlights

High Brightness

The HB series is designed to be installed in shop windows or in cabinets for outdoor applications, offering high levels of brightness. The display can be seen clearly in bright locations where external light shines in and is thus optimal for digital signage on which information must be displayed accurately.

Advanced Heat Management

Monitoring and managing the temperature of each display is crucial to secure reliability and longevity. An industrial-strength, premium-grade panel with additional thermal protection, internal temperature sensors with selfdiagnostics, and fan-based technology allows for 24/7 operation, and protects your display investment.

Intelligent Wireless Data Function

The built-in near field communication (NFC) chip allows data to be read and written via a mobile phone or tablet PC. Users can significantly reduce installation costs as displays can be easily configured and serviced using the NEC NFC Android app. This is available even when the display is switched off and especially useful on larger installations.

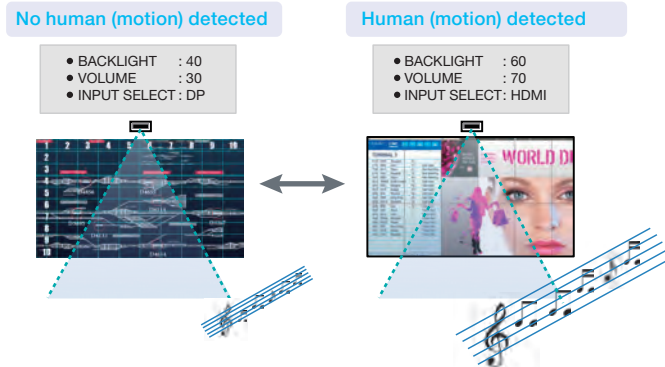


Human Sensor and Advanced Auto Dimming

This new optional human (motion) sensor accessory (KT-RC2) helps to deliver creative digital signage to end users by allowing for dynamic control of brightness, audio and source inputs while saving on operating costs. Auto dimming adjusts the backlight of the LCD automatically depending on the amount of ambient light.



• Practical example



NaViSet Administrator 2

This software is an all-in-one remote support solution that runs from a central location and provides monitoring, asset management and control functionality of the majority of NEC display devices and Windows computers. It is ideal for multi-device installations over larger infrastructures.

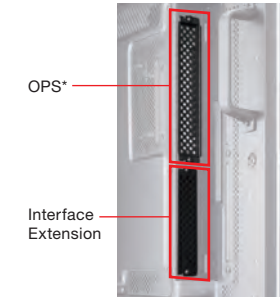


Proof of Play

This function provides accurate proof that displays are working as established and is helpful when checking on the status of the displays installed at user's site.

Optional Dual Expansion Slots

The dual slot technology allows for the integration of Open Pluggable Specification (OPS*) boards and other option slot products without the need to store additional external equipment. This offers the greater flexibility customers require.



* OPS is a standard established by Intel Corporation.

HDBaseT Support*

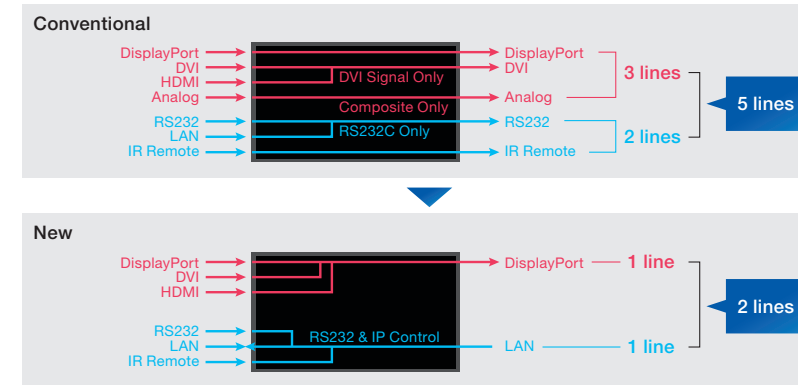
Simplify your installations with HDBaseT, which is optimized for video applications and supports uncompressed Full-HD digital video, audio, Ethernet, and various control signals. With only a single cable (up to 100 m) to run, infrastructure and labour costs are reduced, installations are significantly easier, and there is no cable clutter to manage. With uncompressed HD video support, images have never been more stunning. What's more, control signals are contained in the same cable.



* Requires the optional HDBaseT board, SB-07BC

DisplayPort and LAN Control Daisy Chain

Video signals and control signals can be daisy chained with one DisplayPort and LAN line respectively, meaning that just two cables manage everything for setup.



- Just one cable for each video and control
- Just two cables will manage everything
- Up to 100 displays can be daisy chained

DisplayPort Multi-stream Function

Thanks to the multi-stream function of DisplayPort, multiple displays can be daisy chained and still be individually controlled. This also makes a 2 x 2 video wall with native Ultra High Definition 4K/2K (3,840 x 2,160) possible.

Dedicated Colour Calibration Software*

As the brightness and colour temperature of the LCD change with time, colours may not match across multiple screens. Our dedicated colour calibration software ensures colour uniformity and fidelity across multiple screens, creating a perfectly matched image in tiled environments.

* NEC Display Wall Calibrator

Other Useful Features and Functions

- Landscape/portrait capable
- Scheduler with real-time clock
- Intelligent power management system
- Power on delay
- Screen saver function
- Aspect ratio control
- Memo function
- Carbon footprint metre
- Image and on-screen display flip
- Picture-in-picture, picture-out-picture
- Built in speakers
- Point zoom
- Control lock function
- 6-axis colour adjustments and sRGB standard
- Advanced video settings (Noise reduction, adaptive contrast)
- Colour temperature adjustment
- Programmable gamma setting (3 settings)
- DICOM simulation
- Plug and pay (DDC/CI, DDC2B)
- HDCP (High-bandwidth Digital Content Protection)
- Ethernet and RS-232C control and communication
- CRESTRON ROOMVIEW™
- AMX Discovery HTTP server
- PJLink
- Self-diagnosis
- Status log function
- Firmware update over LAN
- Metal rear cabinet with VESA Standard (FDMIv1) Mounting Interface
- Handles



MultiSync® X754HB / X554HB / X474HB

